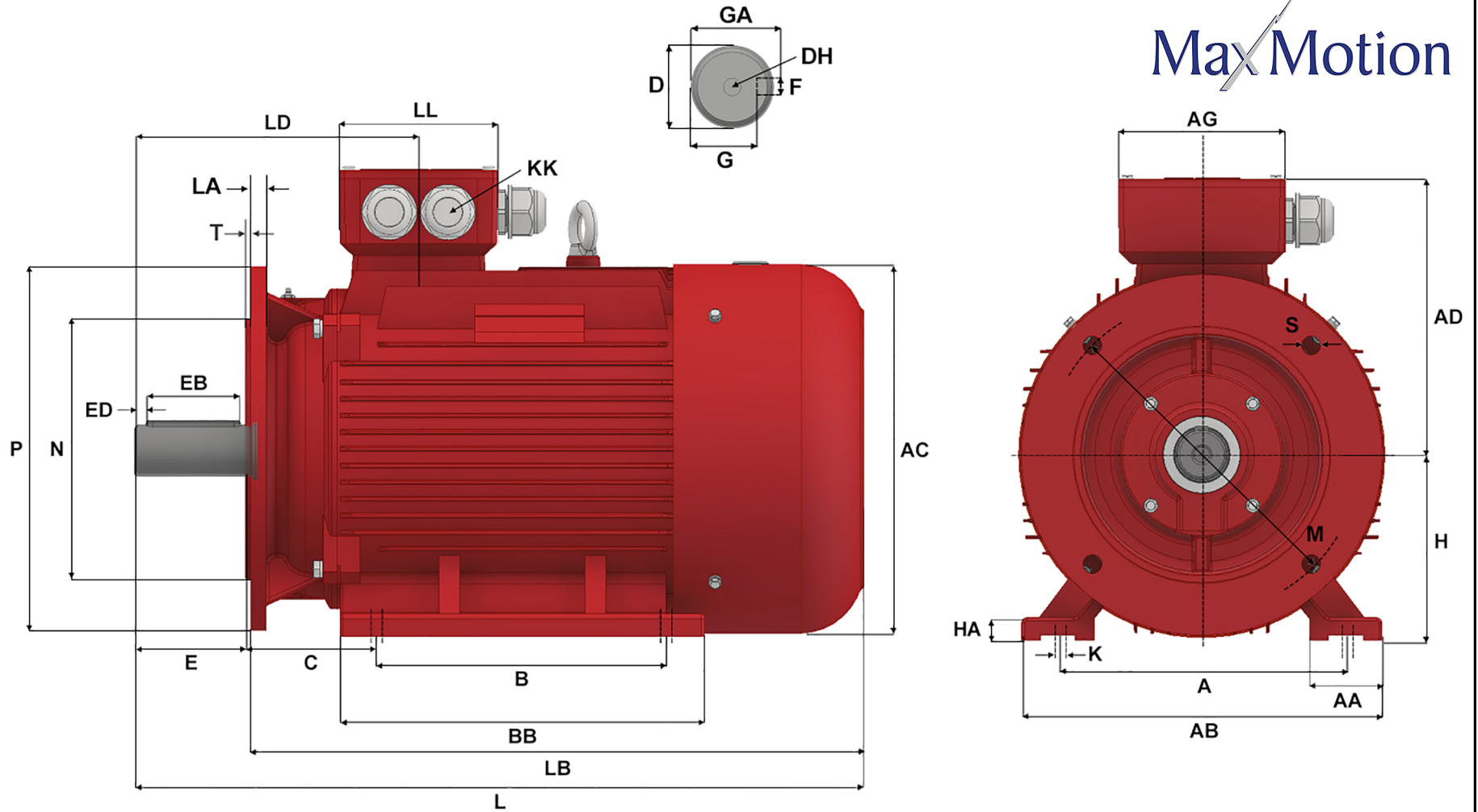


MaxMotion



Version: 1JLEM		Revised: 09-11-2019				HP	RPM	FRAME	ENCLOSURE	IJC180M-2-B35			
Customer is responsible in determining that Max Motion product will fit/perform suitably in the intended application						30	3545	180M	TEFC				
A	B	C	D	E	F	G	H	K	L	M	N	P	
279	241	121	48	110	14	42.5	180	4 - Ø 14.5	652	300	250	350	
S	T	AA	AB	AC	AD	AG	BA	BB	DH	EB	ED	GA	
18.5	5	70	349	355	267	162	0	311	M16 X 36	90	10	51.5	
HA	KK (1)	KK (2)	KK (3)	LA	LB	LD	LL						
22	M40 X 1.5	1" NPT	M16 X 1.5	15	542	271	152						